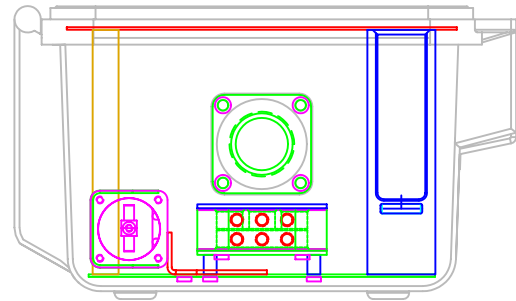
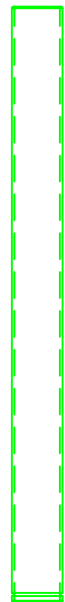
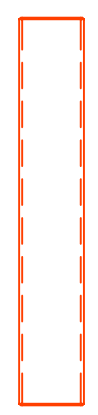
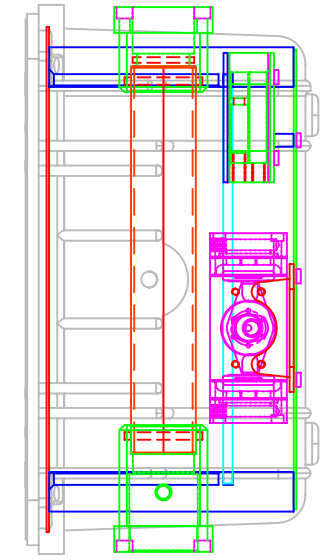
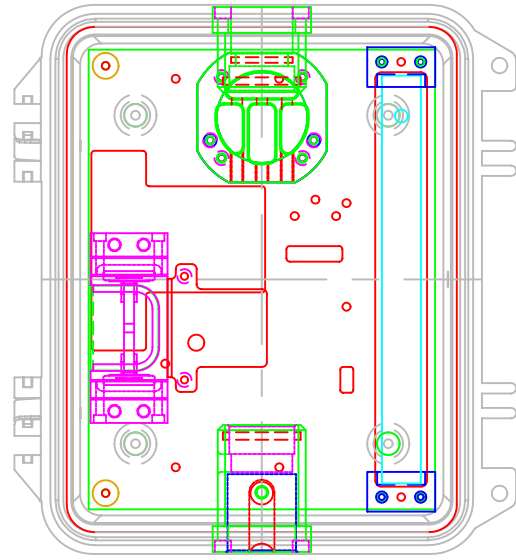
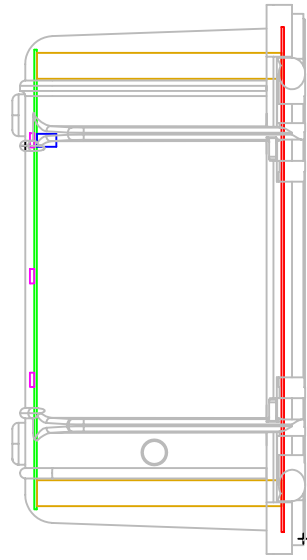
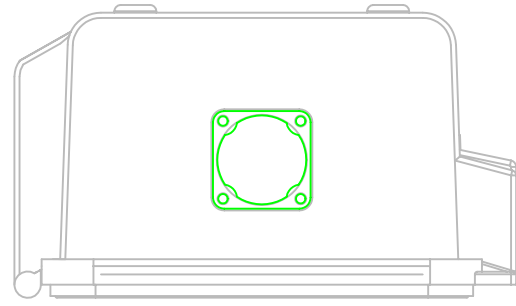


REVISIONS

REV	DESCRIPTION	DATE
-	ORIGINAL RELEASE	4-18-08
01	ADDED COMPONENTS	6-2-08



UNLESS OTHERWISE SPECIFIED DIMENSIONS ARE IN INCHES			THE INFORMATION CONTAINED IN THIS DRAWING IS THE SOLE PROPERTY OF ----- ANY REPRODUCTION IN PART OR AS A WHOLE WITHOUT THE WRITTEN PERMISSION OF ----- IS PROHIBITED.		
X/X ± 1/16	.XX ±.010	.XXXX ±.0005	NAME	DATE	
.X ± .050	.XXX ±.005	ANGLE ±1/2"	DRAWN	SWB	4/18/08
MATERIAL -----			CHECKED		
FINISH NONE			COMMENTS:		
BREAK ALL SHARP EDGES UNLESS NOTED OTHERWISE			PART NAME / DESCRIPTION PARTICULATE SAMPLER ASSEMBLY		
SCALE: 1:1		PART#:	SHEET 1 OF 1		REV. 01